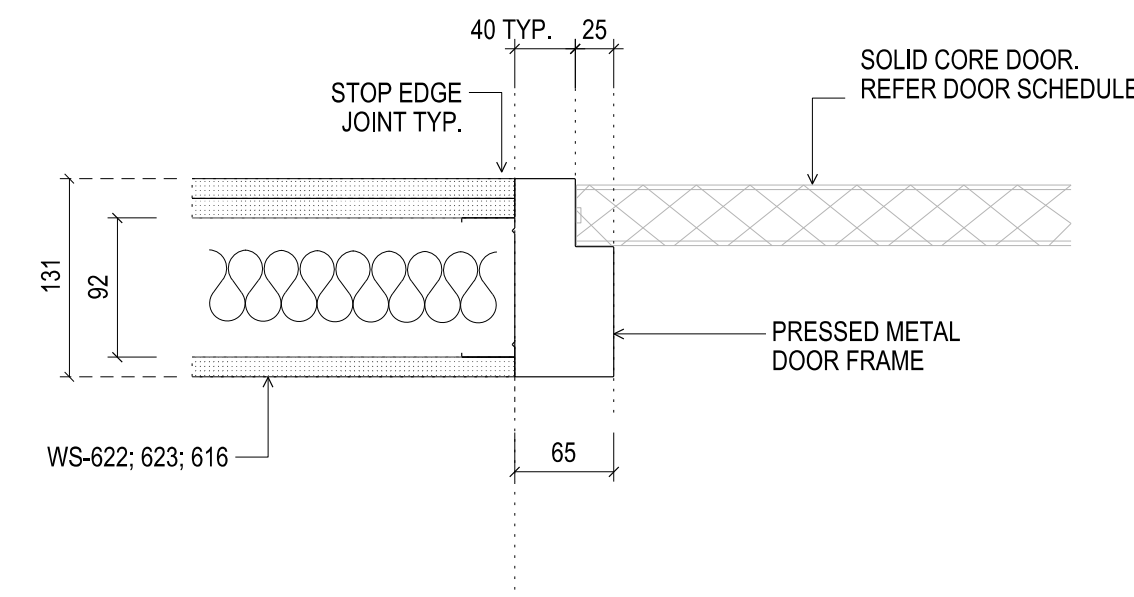


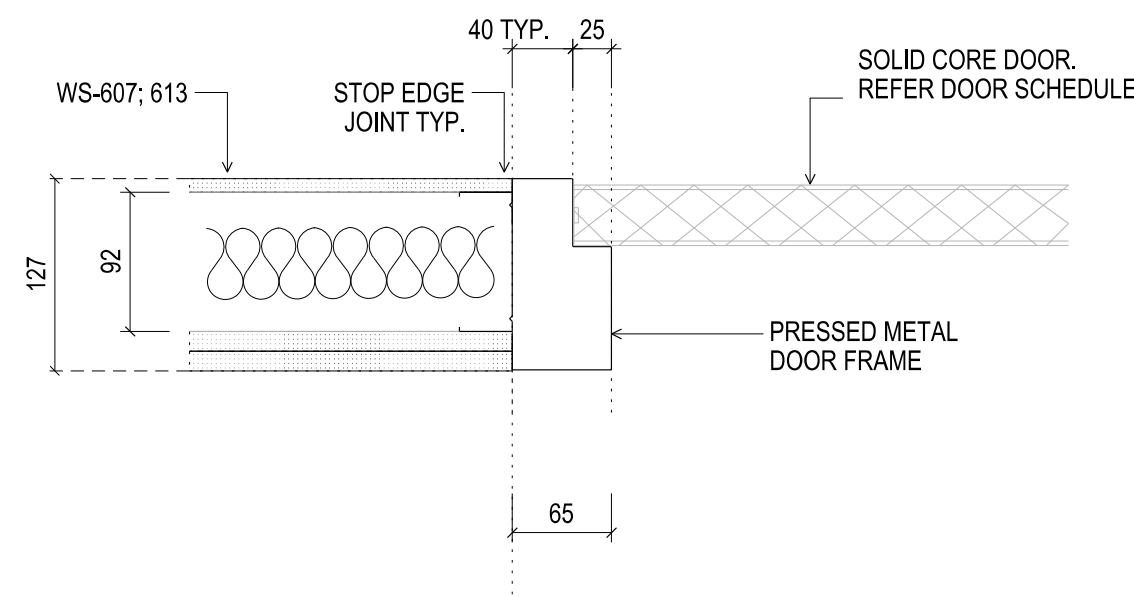
CONTRACTORS SHALL VERIFY DIMENSIONS BEFORE ANY JOB COMMENCES. ALL SHOP DRAWINGS SHALL BE SUBMITTED TO THE SUPERINTENDENT AND MANUFACTURER SHALL NOT COMMENCE FROM THE RETURN OF APPROVED SHOP DRAWINGS ISSUED BY THE CONSULTANT. DIMENSIONS SHALL TAKE PRECEDENCE OVER SCALES. THIS DRAWING SHALL BE READ IN CONJUNCTION WITH ALL RELEVANT CONTRACT SPECIFICATIONS AND DRAWINGS COPYRIGHT OF THIS DRAWING IS VESTED IN HANDLE.

General Notes



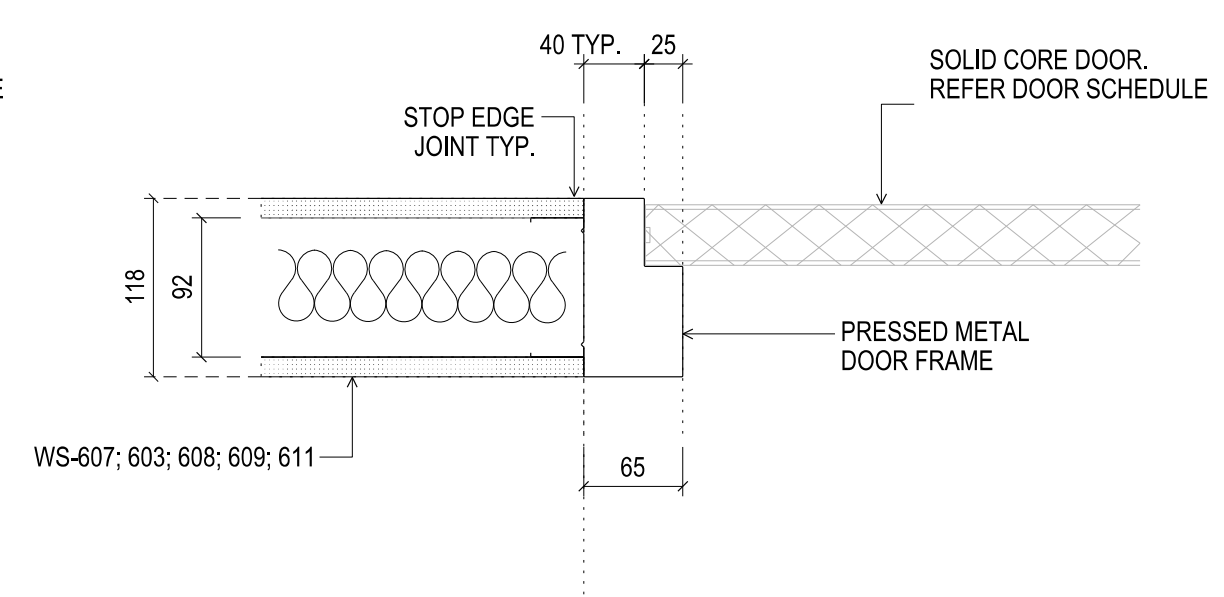
01 DOOR FRAME TYPE B  
90 STEEL STUD WITH LINING TO BOTH FACES  
SCALE 1:5

TO SUIT WALL TYPE WS-622; WS-623; WS-616 DOORS  
DB-09; DB-10; DB-26; DB-36A; DB-38  
DB-27; DB28A; DB-57  
DG-26; DG-27; DG-28  
D1-13; D1-15; D1-58; D1-59  
D2-09; D2-08; D2-07; D2-35A; D2-36; D2-37  
D3-04; D3-05; D3-06; D3-41; D3-42; D3-43A  
D4-07; D4-08; D4-09; D4-38; D4-39; D4-40A



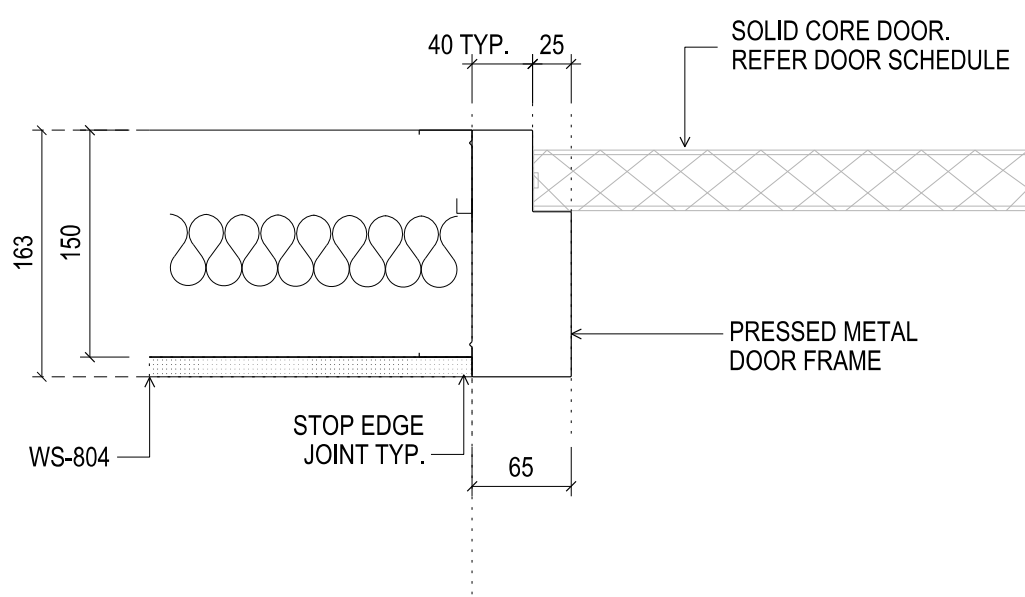
02 DOOR FRAME TYPE B  
90 STEEL STUD WITH LINING TO BOTH FACES  
SCALE 1:5

TO SUIT WALL TYPE WS-607; WS-613 DOORS  
DB-07; DB-08; DB-09A; DB-10A  
DB-42; D1-14; D1-57A



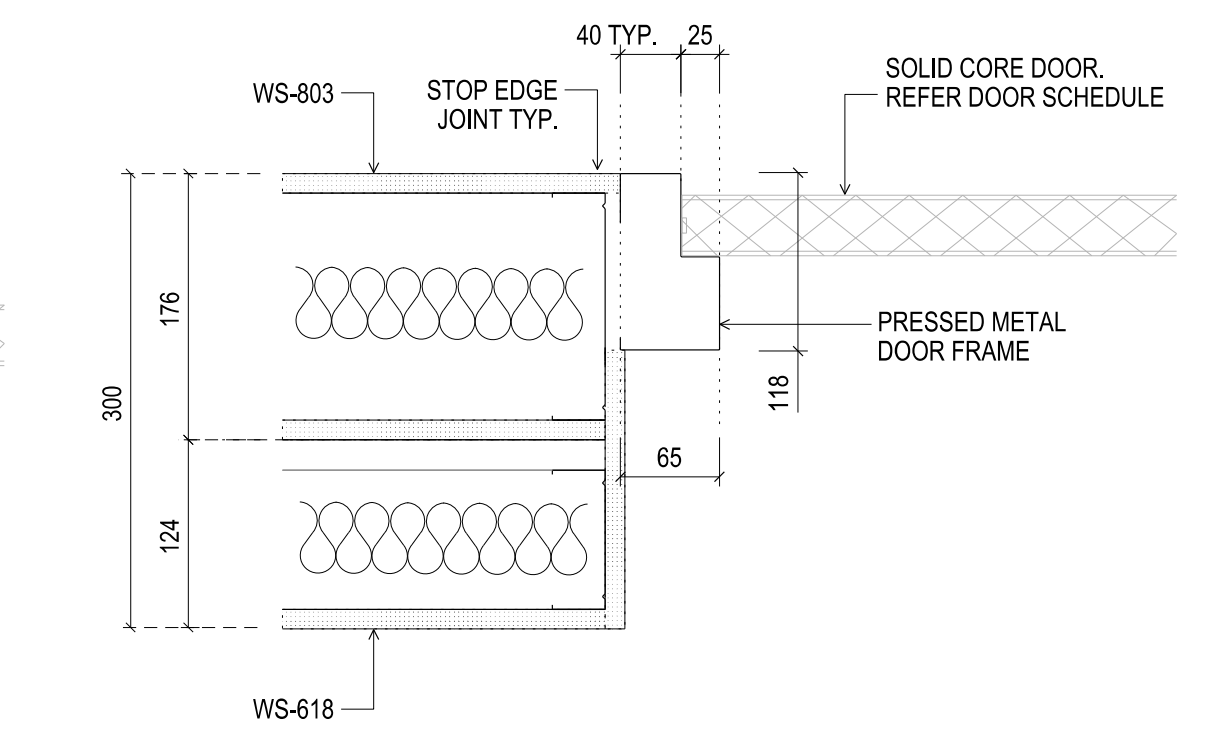
03 DOOR FRAME TYPE B  
90 STEEL STUD WITH LINING TO BOTH FACES  
SCALE 1:5

TO SUIT WALL TYPE WS-601; WS-603; WS-608 WS-609; WS-611 DOORS  
DB-11; DB-23; DB-30; DB-55  
D3-29; D3-29; D3-30; D3-31; DG-32  
D1-16; D1-17; D1-18; D1-19  
D2-08; D2-09; D2-10; D2-11  
D3-07; D3-08; D3-09; D3-10  
D4-10; D4-11; D4-12; D4-13



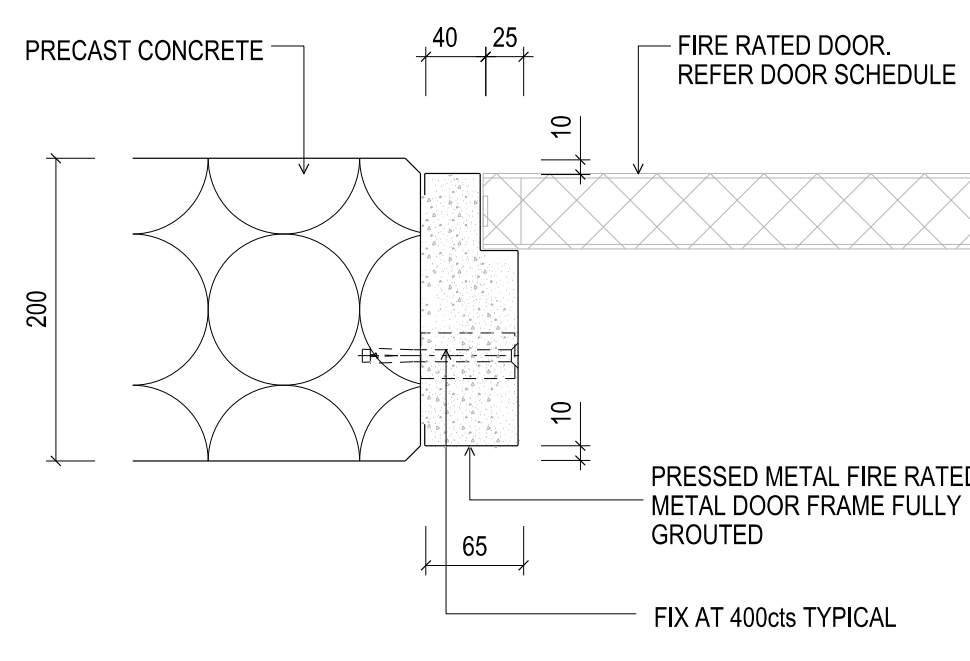
04 DOOR FRAME TYPE B  
150 STEEL STUD WITH LINING TO ONE FACE  
SCALE 1:5

TO SUIT WALL TYPE WS-604 DOORS  
DB2-48



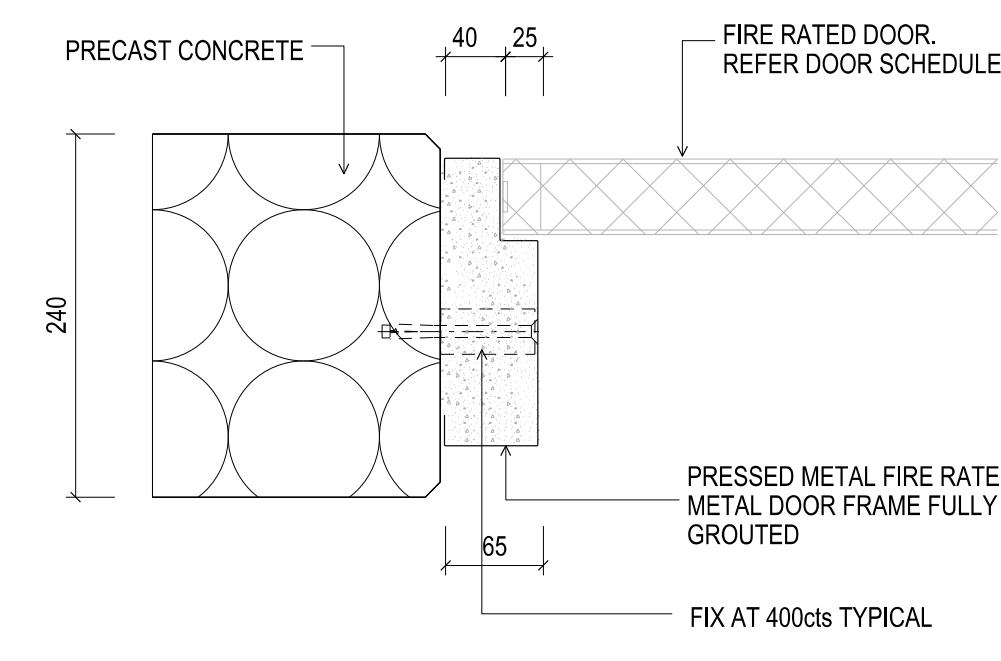
05 DOOR FRAME TYPE B  
90 + 150 STEEL STUD WITH LINING TO BOTH FACES  
SCALE 1:5

TO SUIT WALL TYPE WS-618 + WS-603 DOORS  
DB2-41



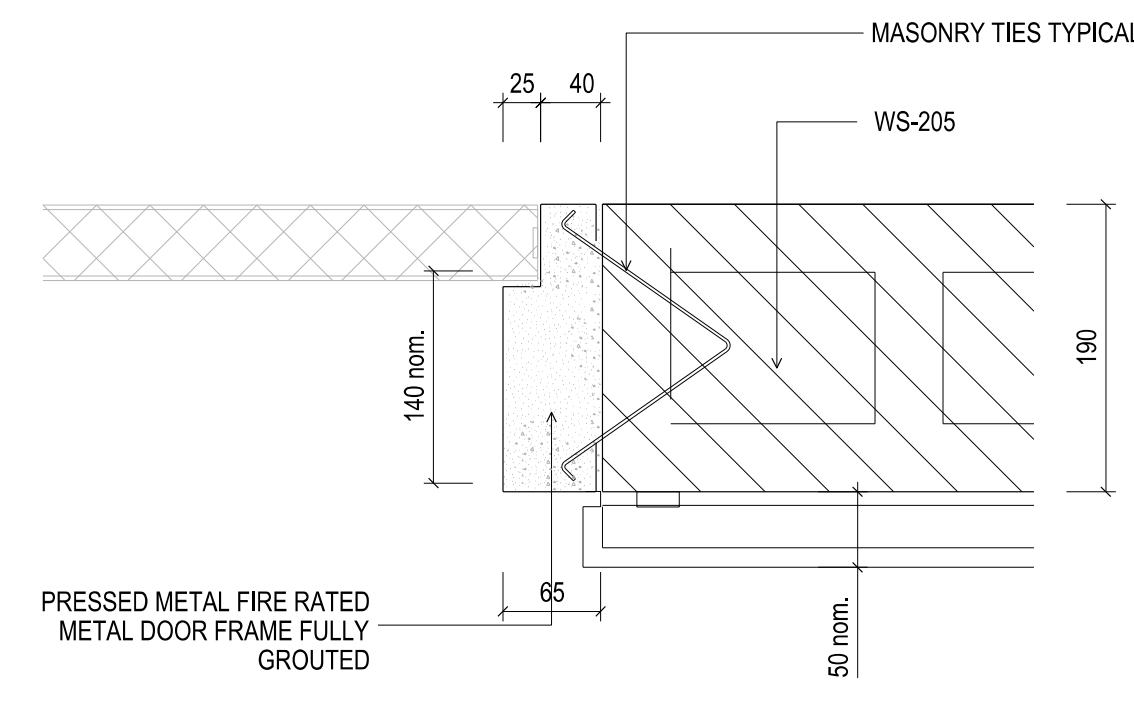
06 DOOR FRAME TYPE C DETAIL (FIRE RATED)  
200 PRE-CAST CONCRETE  
SCALE 1:5

TO SUIT PRECAST CONCRETE DOORS  
DB-09; DB-03; DB-04; DB-06  
DG-24; D1-10; D1-11  
D2-02; D2-03  
D3-02  
D4-05;



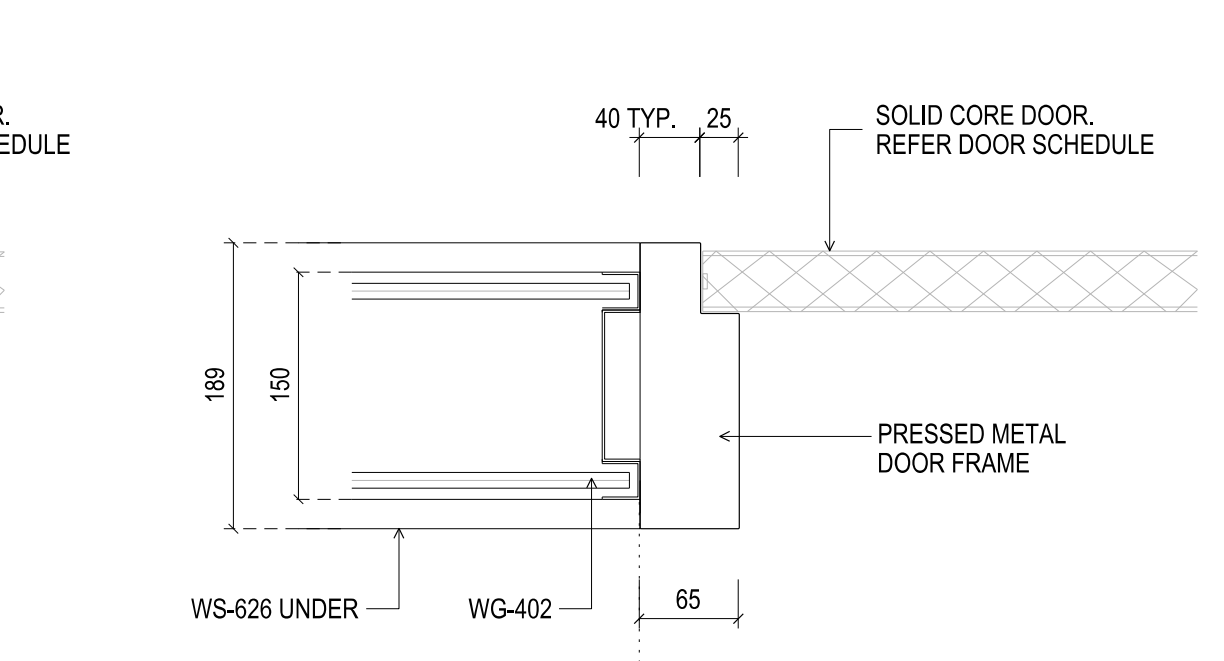
07 DOOR FRAME TYPE C DETAIL (FIRE RATED)  
190 BLOCKWORK - PRE-CAST CONCRETE  
SCALE 1:5

TO SUIT WALL TYPE WB-205 AND PRECAST CONCRETE DOORS  
DG-39



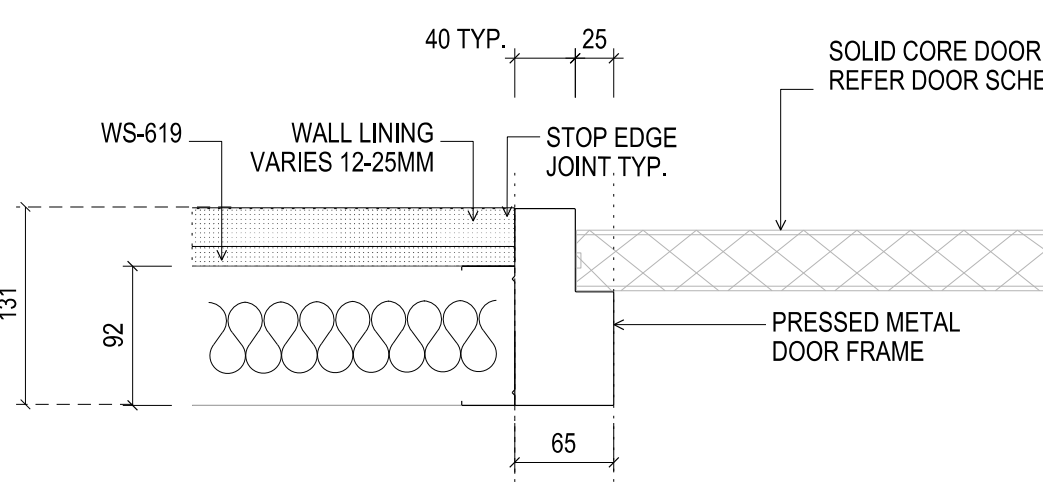
08 DOOR FRAME TYPE B  
150 STEEL STUD WITH LINING TO BOTH FACES  
SCALE 1:5

TO SUIT WALL TYPE WS-626 DOORS  
DG-47; DG-56; DG-67



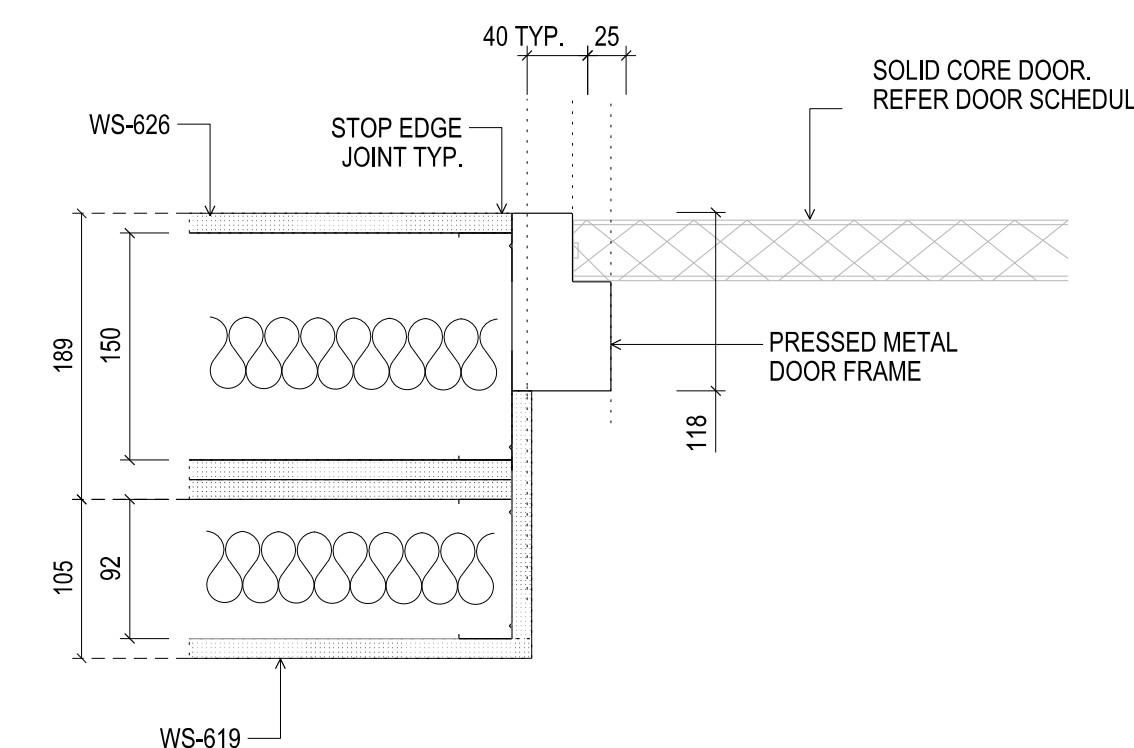
09 DOOR FRAME TYPE B  
150 ALUMINIUM GLAZING WITH 150 STEEL STUD BELOW  
SCALE 1:5

TO SUIT WALL TYPE WG-402 AND WS-626 UNDER DOORS  
DG-49; DG-48; DG-54



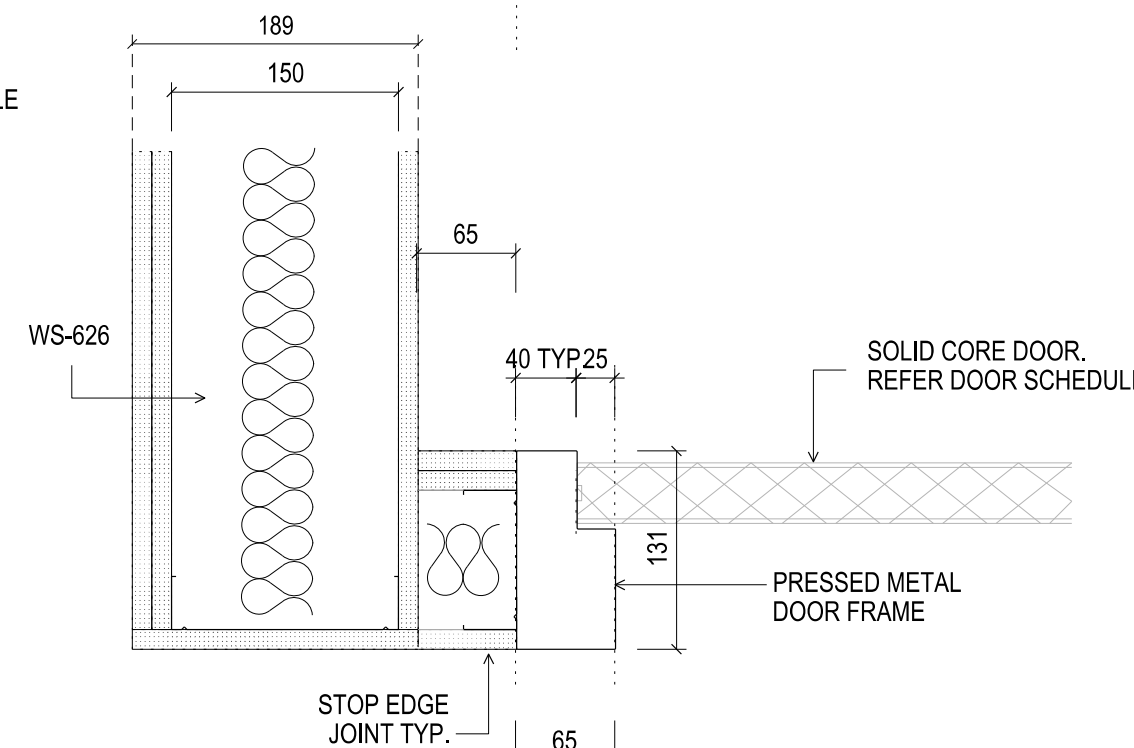
10 DOOR FRAME TYPE B  
90 STEEL STUD WITH LINING TO ONE FACE  
SCALE 1:5

TO SUIT WALL TYPE WS-619 DOORS  
DG-42; D1-45; D2-33; D3-31; D4-27



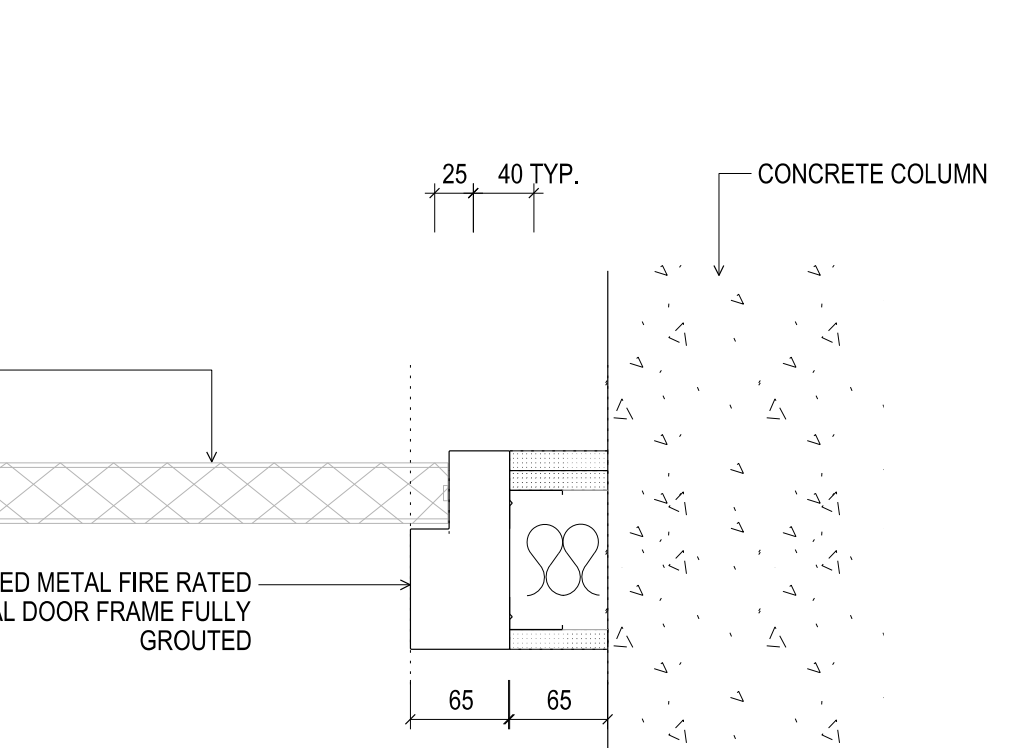
11 DOOR FRAME TYPE B  
90 + 150 STEEL STUD WITH LINING TO BOTH FACES  
SCALE 1:5

TO SUIT WALL TYPE WS-619-WS-626 DOORS  
DG-41



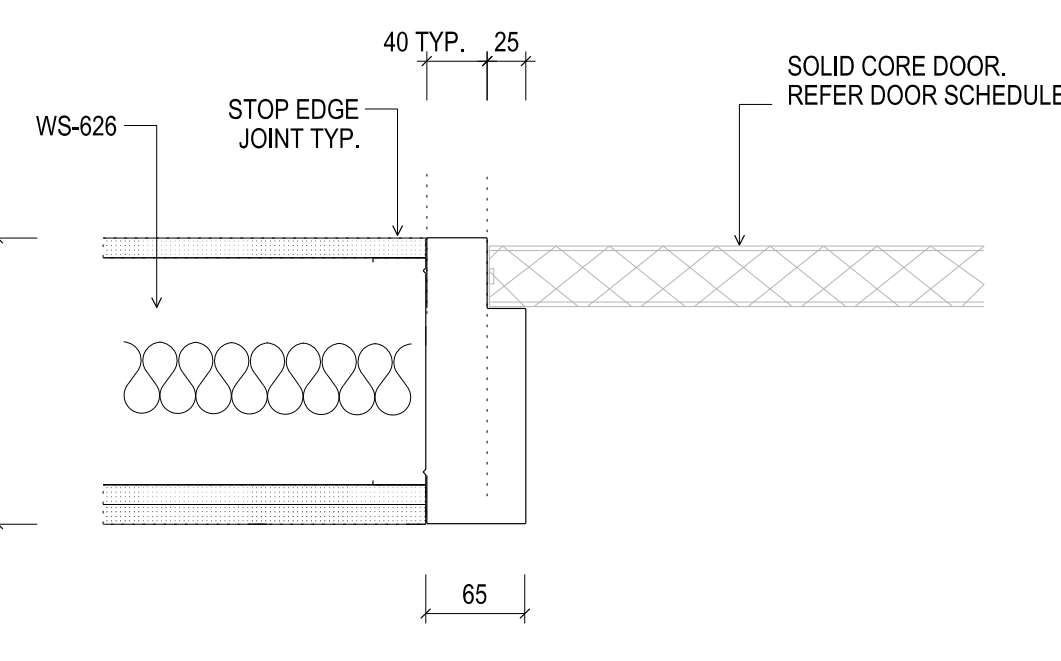
12 DOOR FRAME TYPE B  
90 + 150 STEEL STUD WITH LINING TO BOTH FACES AND CONCRETE COLUMN  
SCALE 1:5

TO SUIT WALL TYPE WS-626 TO CONCRETE COLUMN DOORS  
DG-57



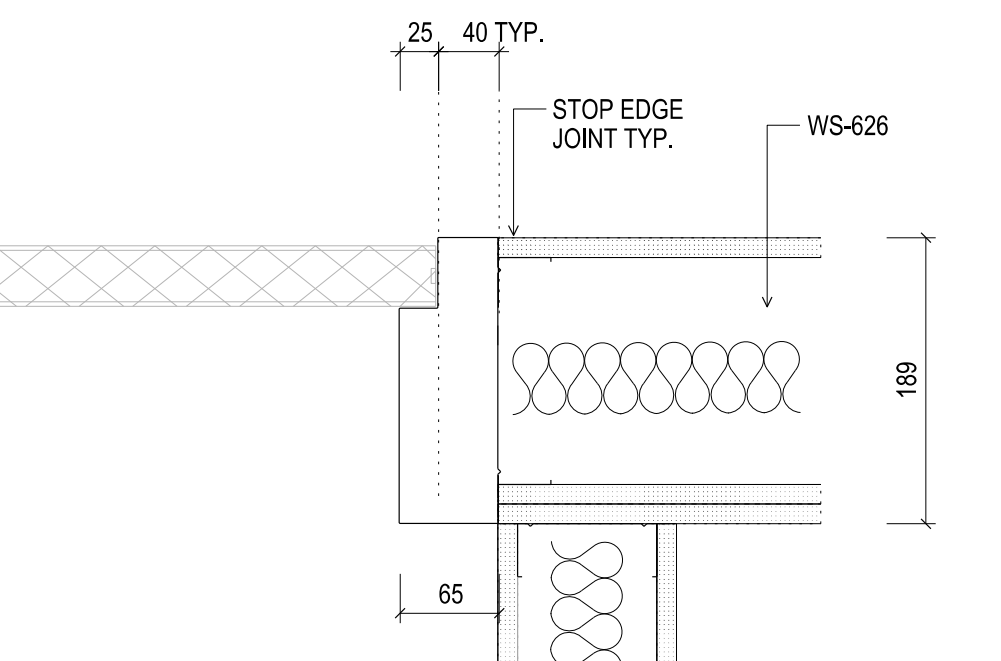
13 DOOR FRAME TYPE B  
76 STEEL STUD WITH LINING TO BOTH FACES  
SCALE 1:5

TO SUIT WALL TYPE WS-501; WS-502; WS-508; WS-515 DOORS  
D1-50; D2-21; D1-30  
D1-32; D2-23



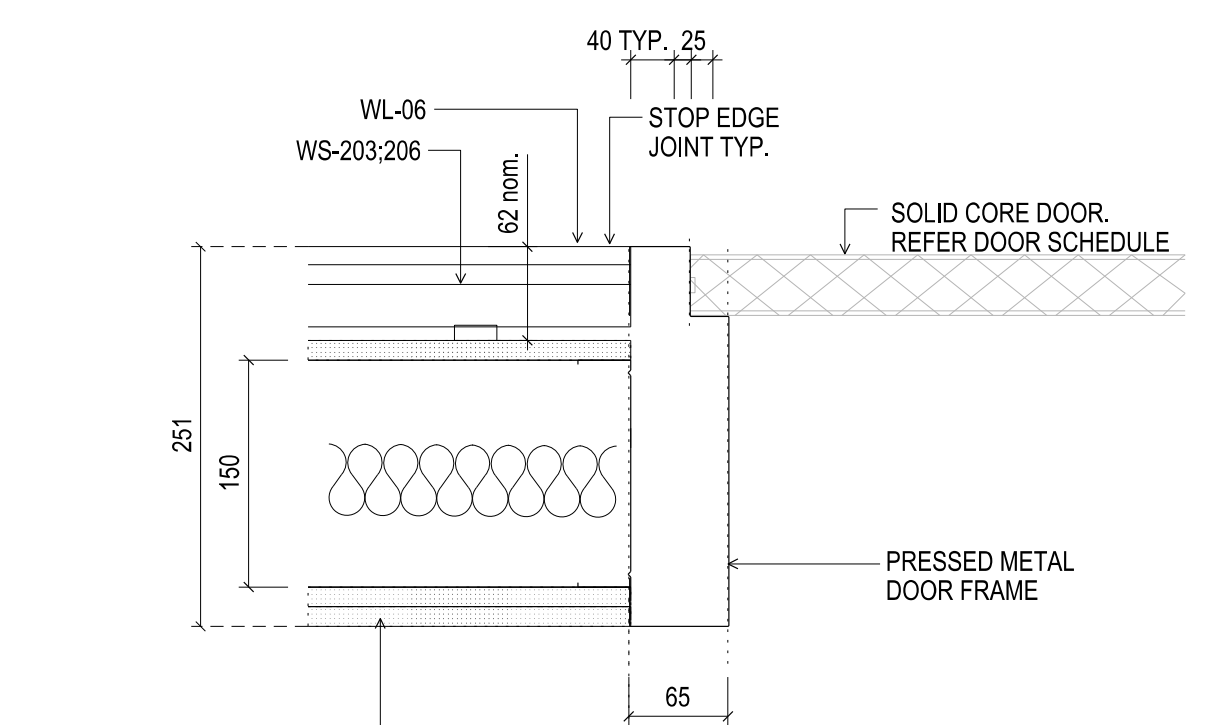
14 DOOR FRAME TYPE B  
150 ALUMINIUM GLAZING WITH 150 STEEL STUD BELOW  
SCALE 1:5

TO SUIT WALL TYPE WS-626 AND WG-402 DOORS  
DG-55



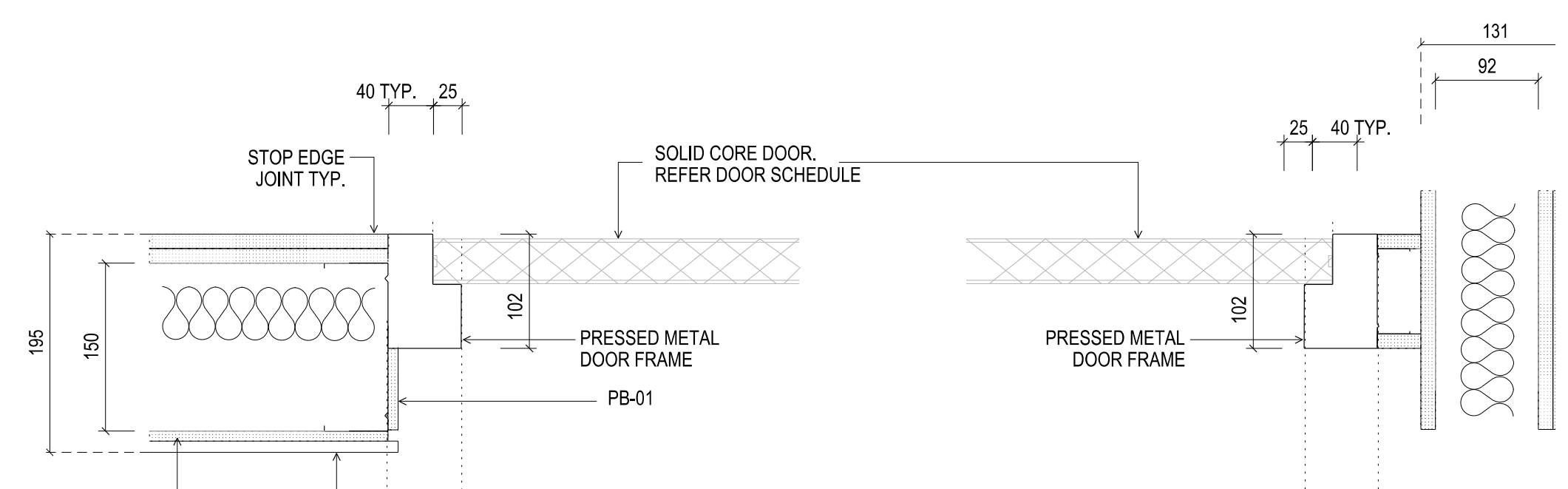
15 DOOR FRAME TYPE B  
150 STEEL STUD WITH LINING TO BOTH FACES  
SCALE 1:5

TO SUIT WALL TYPE WS-626 + WS-203; WS-206 DOORS  
D1-47; D1-48  
D2-29; D2-32  
D3-27; D3-30  
D4-25; D4-28



16 DOOR FRAME TYPE B  
150 STEEL STUD WITH LINING TO BOTH FACES  
SCALE 1:5

TO SUIT WALL TYPE WS-805 DOORS  
D1-59A; D2-37A; D3-41A; D4-38A



Rev	Issue	Revision Description	And	Date
A	SG	ISSUED FOR CONSTRUCTION		18.10.13



**NADAAA**  
NADAAA  
1520 Washington Street No.2 Boston Massachusetts 02118 USA  
Telephone +1 617 442 8232  
Facsimile +1 688 442 1417  
Email nad@nadaaa.com

**John Wardle Architects**  
25 Rokeby Street, Collingwood, Victoria 3066 Australia  
Tel : +61 3 8662 0400 www.johnwardlearchitects.com  
© 2012 John Wardle Architects ABN 83 006 814 268

Client **University of Melbourne Parkville Campus**

Project **Faculty of Architecture Building and Planning**

Title **DOOR JAMB DETAILS SHEET 02**

Project No.	<b>0913</b>	Scale	
Drawing No.	<b>AR 7507</b>	Revision	<b>A</b>
Date	Dwn	Co-Ord	Chk

FILENAME - \$FILES  
**FOR CONSTRUCTION**